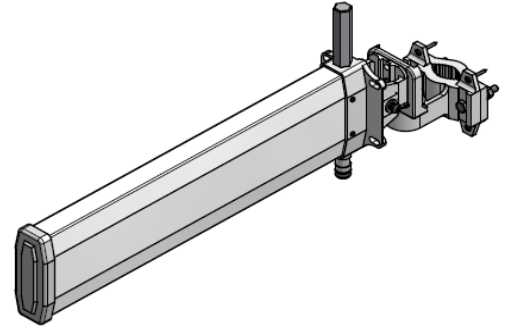


Multi-Band Small Log Antenna

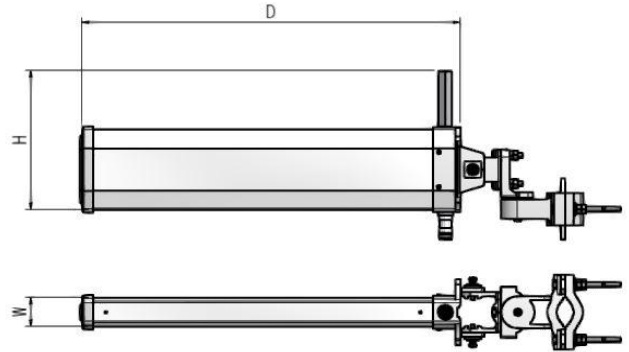
824~894 MHz, 1710~2170 MHz, 2300~2690MHz / 6, 8, 10dBi

CPWW-YG-6810

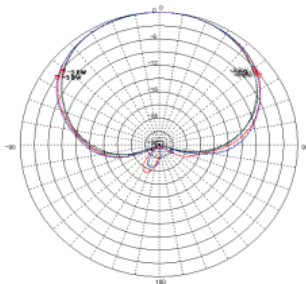
i. Electrical Specification				
Frequency Range	824~894	1710~2170	2300~2690	
Polarization	Vertical	Vertical	Vertical	
Band Width	70MHz	460MHz	390MHz	
Gain	≥ 6 dBi	≥ 8 dBi	≥ 10 dBi	
Beam width	Horizontal	90° ± 15°	75° ± 15°	65° ± 15°
	Vertical	65° ± 15°	55° ± 15°	45° ± 15°
F-B ratio (Horizontal & Vertical)	≥ 18 dB			
VSWR	1 : 1.5			
Impedance	50 Ω			
IMD (3rd)	≤ -150dBc @ 2x30dBm			
Maximum input power	100 W			



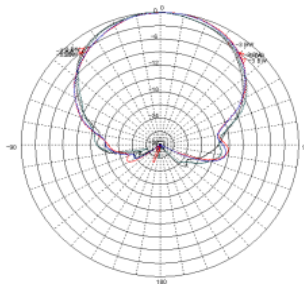
ii. Mechanical Specification	
Radom Dimension (HxWxD)	200 x 50 x 450 mm
Weight (Antenna only)	≤ Kg
Connector Type	N-J (Female)
Withstand Wind Pressure	60 m/sec
Radome Material	ASA
Radome Color	취색(Pantone 427C ~429C)
Mechanical Tilt	Up, Down ± 30°
	Shaft ± 45°
Temperature	-40 °C ~ 70 °C
Packing Size (H x W x D) 10SET	-
Packing Weight 10SET	-



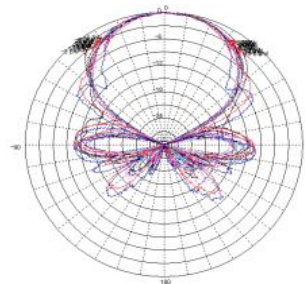
iii. Radiation Pattern



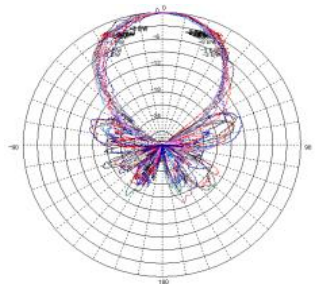
Horizontal Pattern
(Low Band)



Vertical Pattern
(Low Band)



Horizontal Pattern
(High Band)



Vertical Pattern
(High Band)